

1 Products affected

| Product hierarchy no. * | | | Part no. | SBU | Type / Description | Customer part no. |
|-------------------------|-----|------------|-----------|------------|--------------------|-------------------|
| SBU PG | PGU | Type | | | | |
| 02 007 | 037 | 0000002350 | 9009.0111 | Connectors | 9009 | |
| 02 007 | 037 | 0000002350 | 9009.0211 | Connectors | 9009 | |
| 02 007 | 037 | 0000002350 | 9009.0121 | Connectors | 9009 | |
| 02 007 | 037 | 0000002350 | 9009.0221 | Connectors | 9009 | |
| 02 007 | 037 | 0000002350 | 9900.0000 | Connectors | 9009 | |

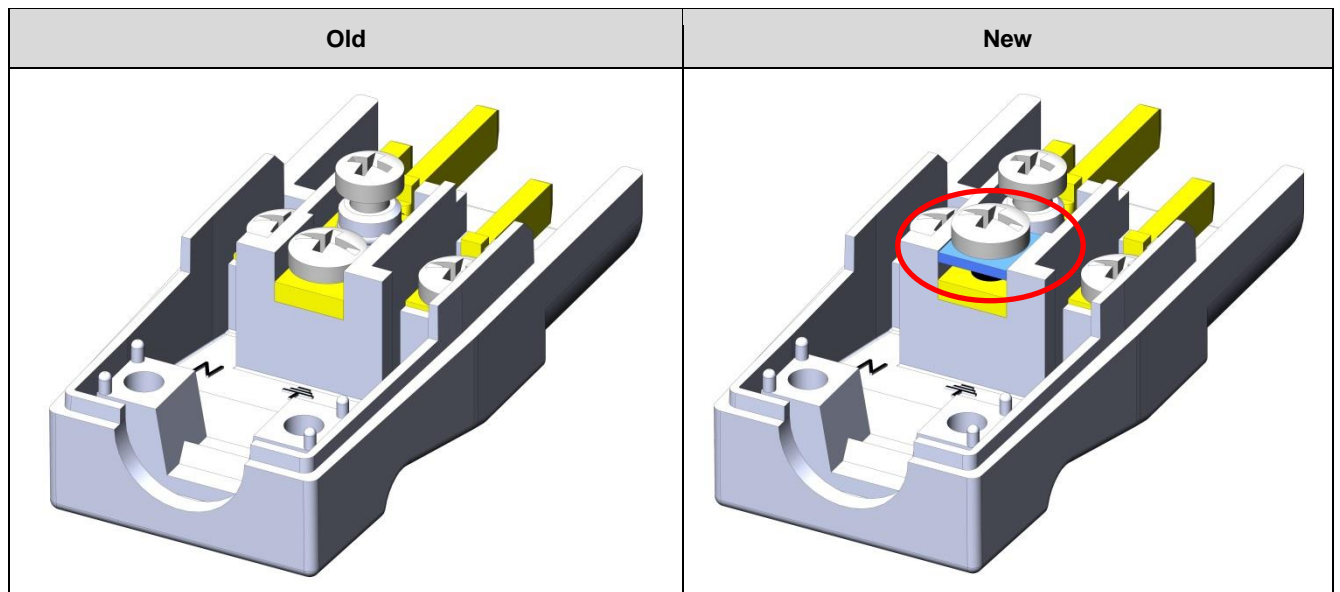
*SBU (2-digit) / PG (3-digit) / PGU (3-digit) / Type (10-digit)

2 Type of change

Ground terminal assembled with a clamping plate.

3 Detailed description of change

The terminal screw "Ground" is pre-assembled with a clamping plate, which will retain all individual wires below the screw head (blue part in picture below).



4 Reason of change

An uncareful wire insertion could lead to unsatisfactory screw connection. The clamping plate makes the handling easier and the screw connection more safe.

5 Release date

The change will be rolled-out starting ww 45/2014 and lasts approx. 9 months depending on the variant.

| 9009 | | | | | 0118.2238 | |
|---------------|------------|--------------|-------------|------------------|-----------|--------|
| creation date | created by | release date | released by | notification no. | revision | page |
| 2014-08-20 | bisanger | 2014-08-22 | bisanger | 26278 | - | 1 of 2 |

6 Impact of change and recommended action

Form: N/A
Fit: Screw terminal "Ground" assembled with a clamping plate
Function: N/A
Production Site: N/A
Product Label: N/A

7 Reference Documents / Attachments

| Kind of document | Document number | Remarks |
|--------------------------------------|-----------------|---------|
| Data sheet | | |
| Mounting Instruction | 0115.0059 | |

| | | | | | | |
|---------------|------------|--------------|-------------|------------------|------------------|--------|
| 9009 | | | | | 0118.2238 | |
| creation date | created by | release date | released by | notification no. | revision | page |
| 2014-08-20 | bisanger | 2014-08-22 | bisanger | 26278 | - | 2 of 2 |