

Appliance Outlet "F-Horizontal", Screw-on Mounting, Front Side, Solder or Quick-connect Terminal



70° C

**Description**

- Panel Mount:
Screw-on mounting, from front side
- Connector,
- Pin temperature 70 °C, protection class I or II,
- Solder terminals or quick connect terminals

Approvals

- VDE Certificate Number: 40011090
- UL File Number: E57445
- CSA File Number: 27324

References

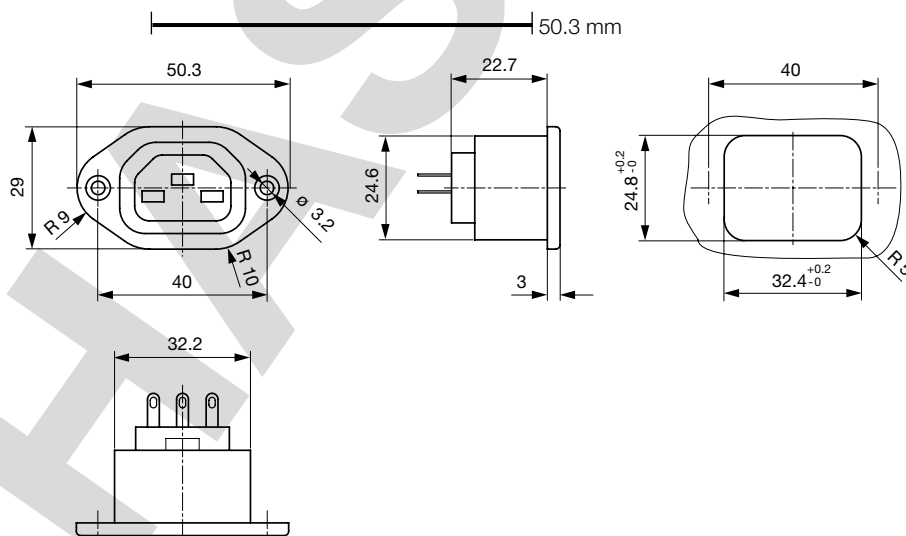
This type is Phase-out without alternate type
Last order possibility: 31.05.2011

Weblinks

[pdf](#), [html](#), [General Product Information](#), [Approvals](#), [RoHS](#), [CHINA-RoHS](#), [Mating Connectors](#), [e-Shop](#), [SCHURTER-Stock-Check](#), [Distributor-Stock-Check](#), [Accessories](#), [Detailed request for product](#)

Technical Data

Ratings IEC	10A / 250VAC; 50 Hz
Ratings UL/CSA	15A / 250VAC; 60 Hz
Dielectric Strength	> 4 kVAC between L-N > 2 kVAC between L/N-PE (1 min/50 Hz)
Allowable Operation Temp.	-25 °C to 70 °C
Degree of Protection	from front side IP 20 acc. to IEC 60529
Protection Class	Suitable for appliances with protection class 1 or 2 acc. to IEC 61140
Material: Housing	PA6, black / grey / white, UL 94V-0

Dimensions

Length of the terminal please find at the order code configuration table

Config. Code

4098 - H - A B C 0 - D - E O

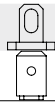
The characters are placeholders for the correspondingly keys of selections from the key tables.

4098 - **H** - A B C 0 - D - E O = Type

Type	Configuration key
protection class 2	B
protection class 1	X

4098 - H - **A** B C 0 - D - E O = Terminals

Terminal L	Configuration key
solder terminal	1
Blade terminal (6.3 x 0.8 mm)	9



4098 - H - A **B** C 0 - D - E O = Terminals

Terminal N	Configuration key
solder terminal	1
Blade terminal (6.3 x 0.8 mm)	9

Symbols similar as in table A

4098 - H - A B **C** 0 - D - E O = Terminals

Terminal Ground	Configuration key
without terminal	0
solder terminal	1
Blade terminal (6.3 x 0.8 mm)	9

Symbols similar as in table A

4098 - H - A B C 0 - **D** - E O = Color

Color	Configuration key
Black	A
Grey	B
White	D

4098 - H - A B C 0 - D - **E** O = Style

Style	Configuration key
flange with countersunk holes	1
flange with through holes	2

4098 - H - A B C 0 - D - E **O** = Features

Features	Configuration key

Mating Inlets/Plugs

Category / Description



[Interconnection Cord Overview complete](#)

Interconnection Cord with Plug "E-Horizontal", Straight 0409

Interconnection Cord with Plug "G-Horizontal", Straight 409B

[Interconnection Cord further types to 4098](#)