

IEC Appliance Outlet 6A 2- or 3-pole, Screw-on Mounting, Front Side, Solder Terminal



70° C



70° C

**Description**

- Panel Mount:
- Screw-on mounting, from front side
- Connector, Pin temperature 70 °C, protection class I or II
- Solder terminal

Approvals

- UL File Number: E57445

References

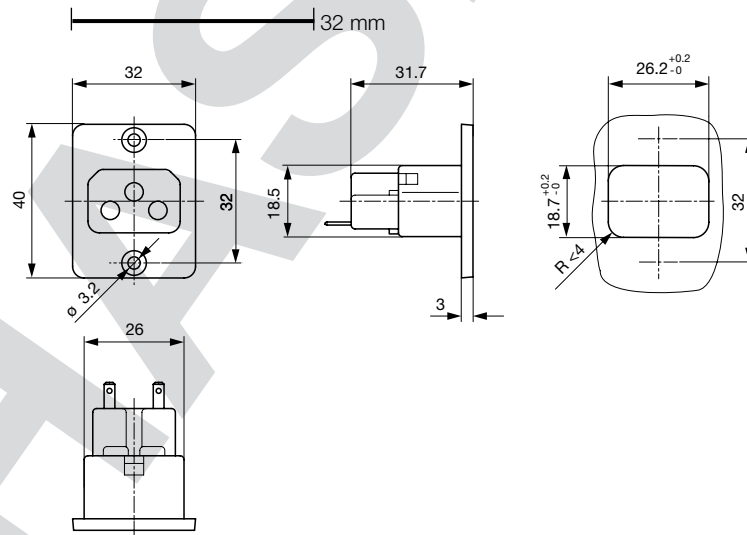
This type is Phase-out without alternate type
Last order possibility: 31.05.2011

Weblinks

[pdf](#), [html](#), [General Product Information](#), [Approvals](#), [RoHS](#), [CHINA-RoHS](#), [Mating Connectors](#), [e-Shop](#), [SCHURTER-Stock-Check](#), [Distributor-Stock-Check](#), [Accessories](#), [Detailed request for product](#)

Technical Data

Ratings IEC	6A / 250VAC; 50Hz
Ratings UL/CSA	6A / 250VAC; 60Hz
Dielectric Strength	> 4 kVAC between L-N > 2 kVAC between L/N-PE (1 min/50Hz)
Allowable Operation Temp.	-25 °C to 70 °C
Degree of Protection	from front side IP 20 acc. to IEC 60529
Protection Class	Suitable for appliances with protection class 1 or 2 acc. to IEC 61140
Terminal	Solder terminal
Material: Housing	PA6, black / grey / white, UL 94V-0

Dimensions

Length of the terminal please find at the order code configuration table

Config. Code

5178 - H - A B C 0 - D - E

The characters are placeholders for the correspondingly keys of selections from the key tables.

5178 - **H** - A B C 0 - D - E = Type

Type	Configuration key
protection class 2	B
protection class 1	X

5178 - H - **A** B C 0 - D - E = Terminals

Terminal L	Configuration key
solder terminal 	1

5178 - H - A **B** C 0 - D - E = Terminals

Terminal N	Configuration key
solder terminal	1

Symbols similar as in table A

5178 - H - A B **C** 0 - D - E = Terminals

Terminal Ground	Configuration key
without terminal	0
solder terminal	1

Symbols similar as in table A

5178 - H - A B C 0 - **D** - E = Color

Color	Configuration key
Black	A
Grey	B
White	D

5178 - H - A B C 0 - D - **E** = Style

Style	Configuration key
flange with countersunk holes	1
flange with through holes	2

Packaging unit 50 Pcs

Mating Inlets/Plugs

Category / Description

[Interconnection Cord Overview complete](#)



Interconnection Cord with Plug 6A 3pole, Straight	6002
Interconnection Cord with Plug 6A 3-pole, Angled	6004
Interconnection Cord with Plug 6A 2pole, Straight	602B
Interconnection Cord with Plug 6A 2-pole, Angled	604B

[Interconnection Cord further types to5178](#)